

Flanged End Connection

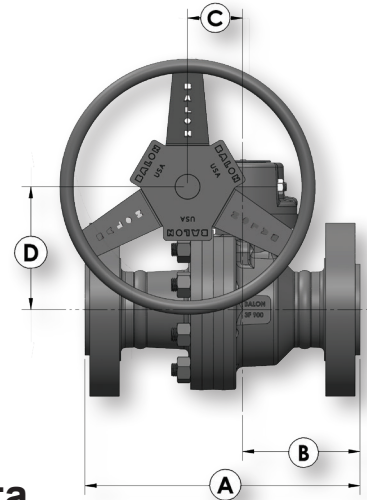
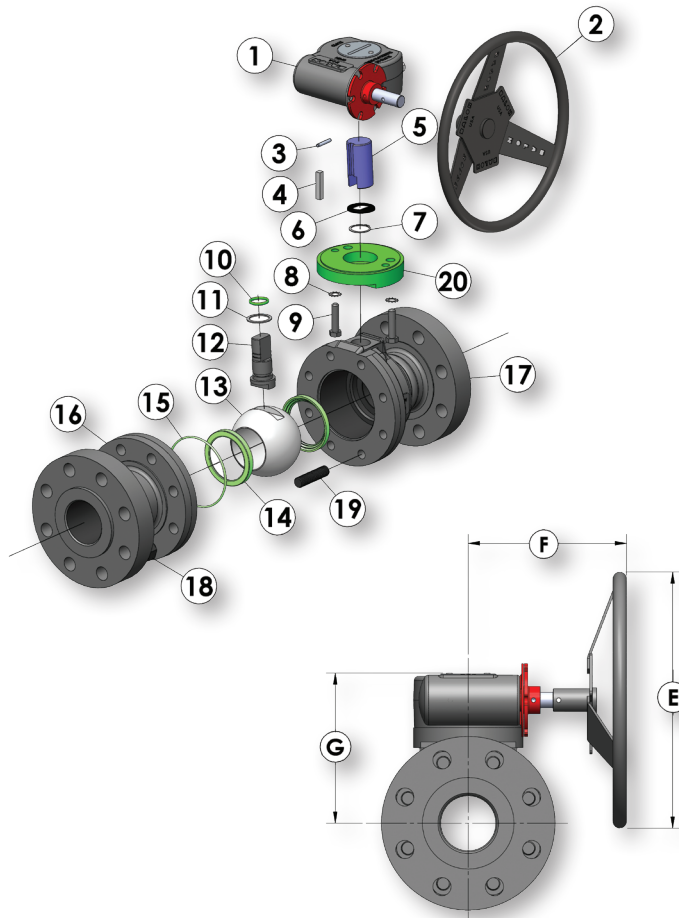
Series F Carbon Steel

- 100% Made in USA
- ANSI Class 900 (2220 PSI WP)
- ANSI Class 1500 (3705 PSI WP)
- 3"
- Bolted Body Construction
 - Certified Low Emission per API 641
 - Certified Fire Safe per API 6FA
 - NACE Option With 316 Stainless Steel Ball and Stem Available
 - Rugged Locking Device Standard
 - Multi-Seal Seats (See page B-5)



Material Description

ITEM	PART NAME	MATERIAL (STANDARD)	MATERIAL (NACE)
1	Gear Operator	Ductile Iron	Ductile Iron
2	Hand Wheel	Carbon Steel	Carbon Steel
3	Drive Pin	Carbon Steel	Carbon Steel
4	Stem Key	Steel Key Stock	Steel Key Stock
5	Stem Drive Adapter	Carbon Steel	Carbon Steel
6	Weather Guard	Polyethylene	Polyethylene
7	Snap-Ring	Carbon Spring Steel	Carbon Spring Steel
8	Lock Washers	Carbon Steel	Carbon Steel
9	Mounting Screws	Alloy Steel	Alloy Steel
10	Stem O-Ring	Buna-N	Fluorocarbon
11	Stem Seal	TFE	TFE
12	Stem	Carbon Steel	316 Stainless Steel
13	Ball	Carbon Steel Nickel Chrome Plated	316 Stainless Steel
14	Ball Seats	Acetal	Acetal
15	Body O-Ring	Buna-N	Fluorocarbon
16	End Adapter	ASTM A105, Normalized	ASTM A105, Normalized
17	Body	ASTM A105, Normalized	ASTM A105, Normalized
18	Nuts	ASTM A194 2H	ASTM A194 2HM
19	Body Bolts	ASTM A193 B7	ASTM A193 B7M



Dimensional Data

SIZE	CATALOG NUMBER		PORT	A		B		C	D	E	F	G	LBS.	Cv
	STANDARD TRIM CARBON STEEL BALL & STEM	NACE TRIM 316 SS BALL & STEM		RF	RTJ	RF	RTJ							
3x3x3	3F-F93	3F-F93N	3	15	15.12	6.38	6.44	3	6.75	14	9	8.12	183	-
3x2.5x3	3R-F03	3R-F03N	2.5	18.5	18.63	7.90	7.96	3	10	14	9	11.5	219	280